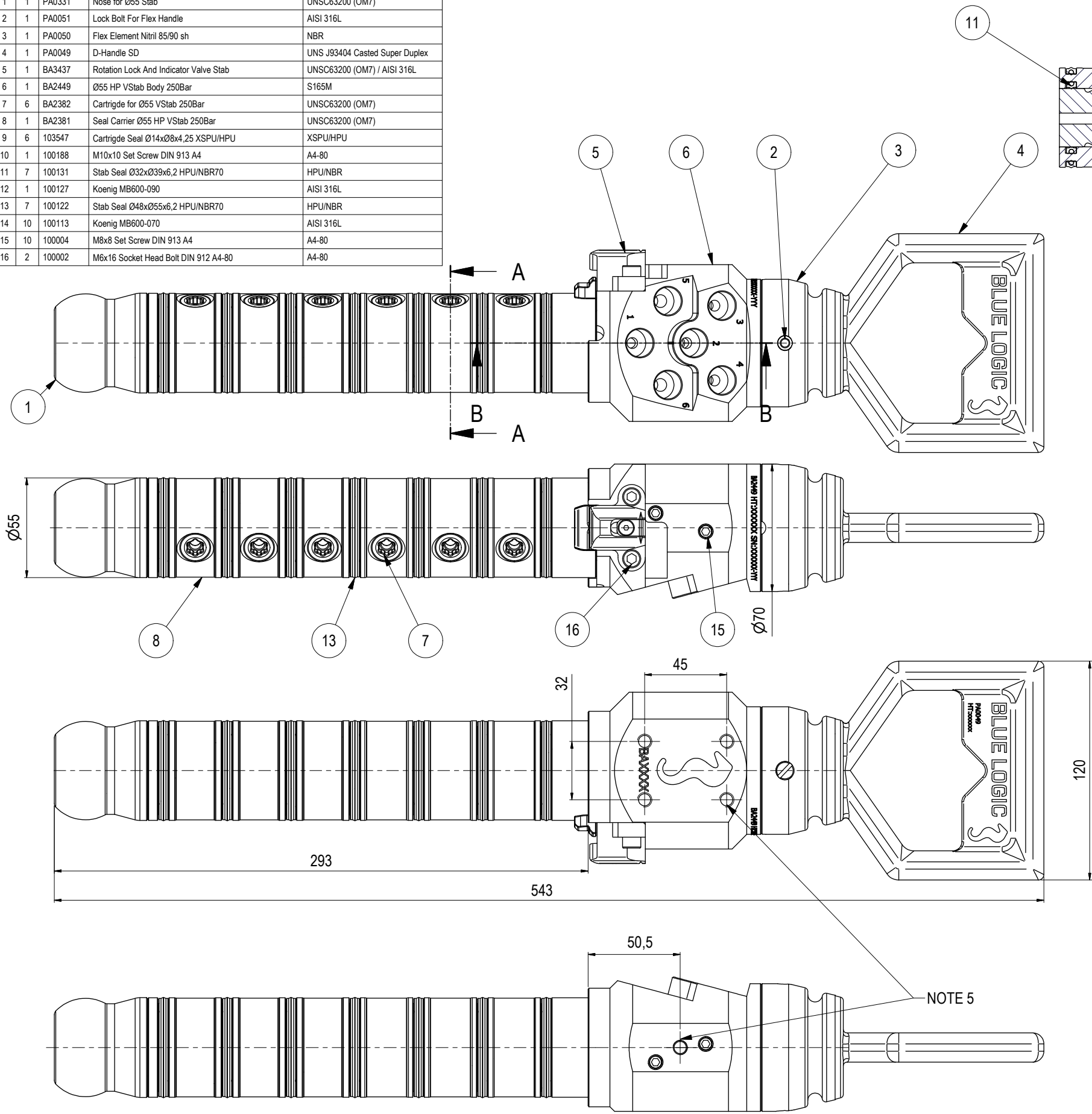


Parts List				
ITEM	QTY	PART No.	DESCRIPTION	MATERIAL
1	1	PA0331	Nose for Ø55 Stab	UNSC63200 (OM7)
2	1	PA0051	Lock Bolt For Flex Handle	AISI 316L
3	1	PA0050	Flex Element Nitril 85/90 sh	NBR
4	1	PA0049	D-Handle SD	UNS J93404 Casted Super Duplex
5	1	BA3437	Rotation Lock And Indicator Valve Stab	UNSC63200 (OM7) / AISI 316L
6	1	BA2449	Ø55 HP VStab Body 250Bar	S165M
7	6	BA2382	Cartridge for Ø55 VStab 250Bar	UNSC63200 (OM7)
8	1	BA2381	Seal Carrier Ø55 HP VStab 250Bar	UNSC63200 (OM7)
9	6	103547	Cartridge Seal Ø14xØ8x4,25 XSPUI/HPU	XSPUI/HPU
10	1	100188	M10x10 Set Screw DIN 913 A4	A4-80
11	7	100131	Stab Seal Ø32xØ39x6,2 HPU/NBR70	HPU/NBR
12	1	100127	Koenig MB600-090	AISI 316L
13	7	100122	Stab Seal Ø48xØ55x6,2 HPU/NBR70	HPU/NBR
14	10	100113	Koenig MB600-070	AISI 316L
15	10	100004	M8x8 Set Screw DIN 913 A4	A4-80
16	2	100002	M6x16 Socket Head Bolt DIN 912 A4-80	A4-80



NOTE: 1
 DESIGN CODE:
 Material/Testing: API
 6A/NORSOK MDS D57

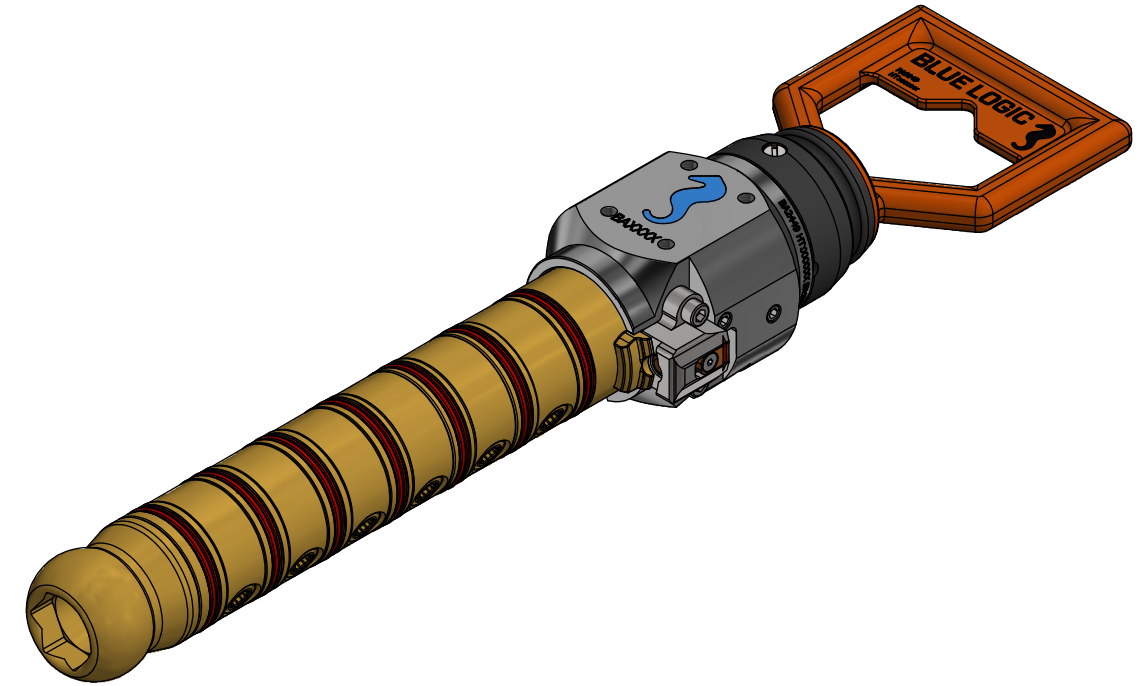
NOTE: 2
 TECHNICAL CLASSIFICATION:
 Article Type: 003-Valve Stabs
 Main Group: 3.03. Ø55-Valvestab
 Intermediate Group: 3.12.01. Stab
 Sub Group: 3.12.32.6. Hexa

NOTE: 3
 INTERFACE INFORMATION:
 Pressure Rating Bar: 250
 Design Water Depth: 3000m
 Material: Intervention
 Weight in Air: 8,7 kg
 Volume: 1,22 dm³
 Submerged Weight: 7,43 kg
 Surface Area: 3366 cm²
 Hydraulic: 3/8" BSP
 Mechanical: N/A
 Electrical: N/A
 Com. & Protocol: N/A

NOTE: 4
 SPAREPARTS:
 See Blue Logic dwg. BB1689
<https://e-sea.bluelogic.no/main.aspx?page=article&artno=BB1689>

NOTE 5
 M8 bolt holes for add on equipment

NOTE 6
 D-handle Xylan (PTFE) coated, all other parts bare material



Rev.	Date	Reason for issue	Revision change	WTJ	HNJ	WTJ
15	10.6.2024	9-IFU (Issued for Use)		WTJ	HNJ	WTJ
14	19.6.2020	9-IFU (Issued for Use)		WTJ	LGH	WTJ
13	28.10.2019	9-IFU (Issued for Use)		WTJ	HNJ	WTJ
12	13.2.2019	9-IFU (Issued for Use)		HNJ	LGH	HNJ
Rev.	Date	Reason for issue	Revision change	Made	Chk'd	Appr.



Dwg Scale: NTS	Dwg Proj: 	Drawing title: Ø55 HP VStab 250Bar Interv BSP 3/8"
Dwg Format: A3		Drawing number: BA2380
		Rev: 15